

IB-150 SERIES



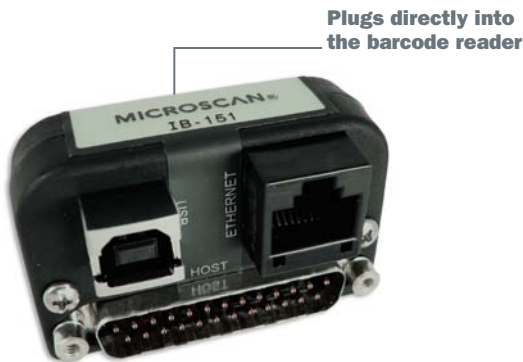
Aux Port enables terminal strip wiring

IB-150 series devices are designed for use with all Microscan 24V, 25 pin barcode readers.

IB-150

The IB-150 interface simplifies connectivity by linking the barcode reader to the host, power supply, trigger, and aux port connections.

In addition to multidrop and daisy chain hook-ups, the aux port can plug into the IB-152 interface for terminal strip wiring.



Plugs directly into the barcode reader

IB-151

Standard Ethernet (RJ-45) and USB (USB-B) connections can be made through the IB-151 interface which plugs directly into the host port of the barcode reader.

The IB-151 has a second 25-pin port to pass through all but the RS-422/485 connections.



IB-152

Custom terminal strip wiring can be done through the IB-152 interface, which can either connect directly to the barcode reader or indirectly by way of the aux port of the IB-150.

The IB-152 kit includes a DB25 plug terminal block and gender changer.

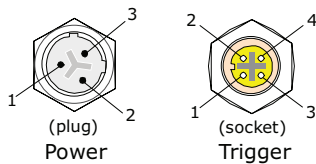
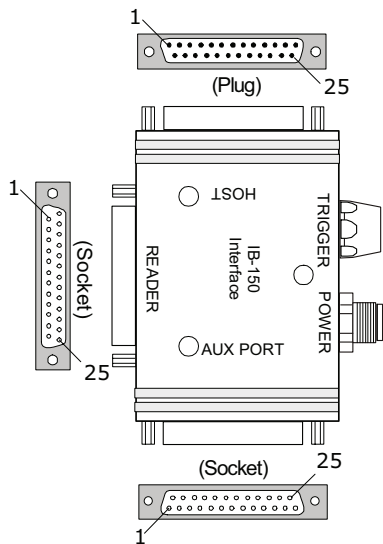


For more information on these products, visit www.microscan.com.

MICROSCAN®

IB-150 SERIES SPECIFICATIONS AND OPTIONS

IB-150



Trigger 4-pin Connector

Pin	Function
1	Power +10 to 28 VDC (out) ^a
2	Trigger (-) (in) ^b
3	Power Ground
4	Trigger (+) (in) ^a

a. For NPN type, connect pins 1 and 4.
b. For PNP type, connect pins 2 and 3.

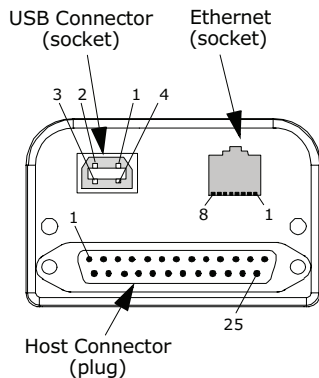
Power 3-pin Connector

Pin	Function
1	Power Ground
2	Chassis Ground
3	Power +10 to 28VDC (in)

Port Connectors

Pin	Reader	Host	Aux Port
1	Chassis ground	Chassis ground	Chassis ground
2	TxD	TxD	RxD
3	RxD	RxD	TxD
4	RTS/Aux TxD	RTS/Aux TxD	NC
5	CTS/Aux RxD	CTS/Aux RxD	NC
6	Output 1 (+)	Output 1 (+)	Output 1 (+)
7	Signal GND	Signal GND	Signal GND
8	Output 2 (+)	Output 2 (+)	Output 2 (+)
9	Trigger (-)	Trigger (-)	Trigger (-)
10	Trigger (+)	Trigger (+)	Trigger (+)
11	Default	Default	Default
12	Input 1 (+)	Input 1 (+)	Input 1 (+)
13	RxD (+)	RxD (+)	RxD (+)
14	TxD (-)	TxD (-)	TxD (-)
15	Output 3 (+)	Output 3 (+)	Output 3 (+)
16	RxD (-)	RxD (-)	RxD (-)
17	Power ground	NC	Power ground
18	Power + 10 to 28 VDC	NC	Power +10 to 28 VDC
19	TxD (+)	TxD (+)	TxD (+)
20	Output 1 (-)	Output 1 (-)	Output 1 (-)
21	Output 2 (-)	Output 2 (-)	Output 2 (-)
22	Output 3 (-)	Output 3 (-)	Output 3 (-)
23	Input 1 (-)	Input 1(-)	Input 1 (-)
24	New master (-)	New master (-)	New master (-)
25	New master (+)	New master (+)	New master (+)

IB-151



Ethernet

Pin	Ethernet Port
1	Ethernet TX (+)
2	Ethernet TX (-)
3	Ethernet RX (+)
4	NC
5	NC
6	Ethernet RX (-)
7	NC
8	NC

USB

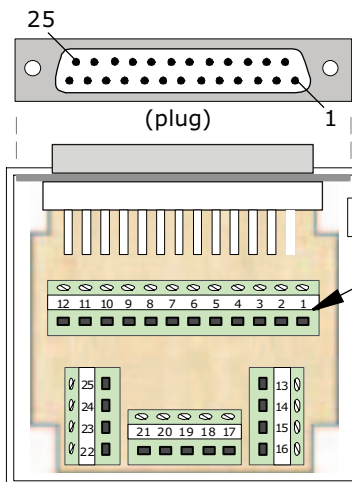
Pin	USB Port
1	+5VDC
2	Data (-)
3	Data (+)
4	GND

Host

Pin	Host Port ^a
13	NC
14	NC
16	NC
19	NC

a. All other pins are as shown on the reader port of the IB-150

IB-152



Steps for wiring the IB-152 Interface:

1. Remove two screws from top case at these locations
2. Pry at this point to separate cases
3. Connect external wires to terminal connections as marked. (See host or aux port pinouts on IB-150.)

SAFETY CERTIFICATIONS

FCC, UL/cUL, CE

ROHS/WEEE COMPLIANT

ISO CERTIFICATION

Certified ISO 9001:2008 Quality Management System

MICROSCAN[®]

Microscan Systems Inc.

Tel 425 226 5700 / 800 251 7711
Fax 425 226 8250

Microscan Europe

Tel 31 172 423360 / Fax 31 172 423366

Microscan Asia Pacific

Tel 65 6846 1214 / Fax 65 6846 4641

www.microscan.com

Product Information: info@microscan.com
Technical Support: helpdesk@microscan.com