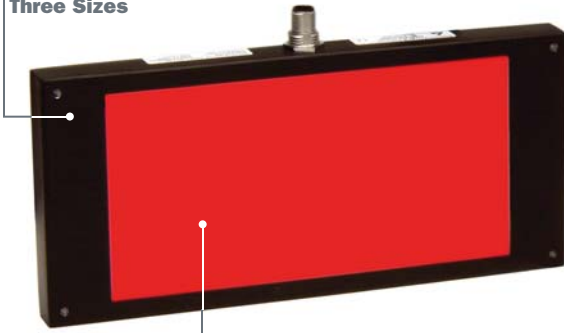


NERLITE® BACKLIGHT

Available In
Three Sizes



Available In
Three Colors & Infrared

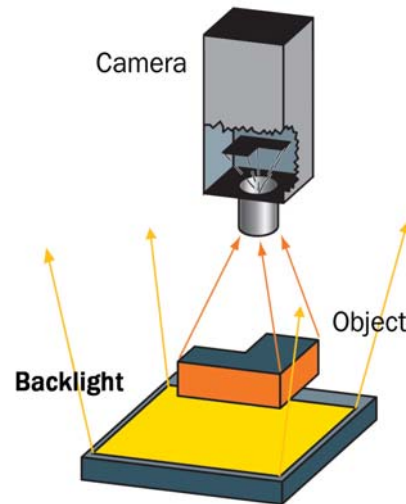
Large Area Uniform Back Lighting

Microscan's wide range of NERLITE products can illuminate any part or mark for successful machine vision and auto ID applications.

Large Area Backlight illuminators provide sharp contrast to outline a part's shape, find edges and view openings such as drilled holes. High intensity and uniformity are packed into a low-profile industrial package for optimal thermal management. Models for continuous or strobe duty cycles to support static or high speed applications.

Backlight: At a Glance

- Variety of colors and wavelegths for both continuous and strobed power sources
- High level of uniformity for repeatable results
- M12 connectors for easy connections to drivers or advanced controllers
- Low profile, compact shape for flexible integration

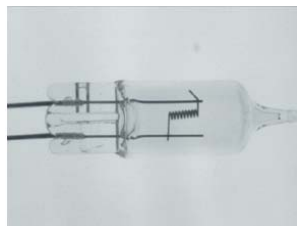


Illumination Example:

Object



Resulting Image



Light bulb: Resulting image clearly shows silhouette of filament inside the bulb.

For more information on this product, visit www.microscan.com.

Application Examples

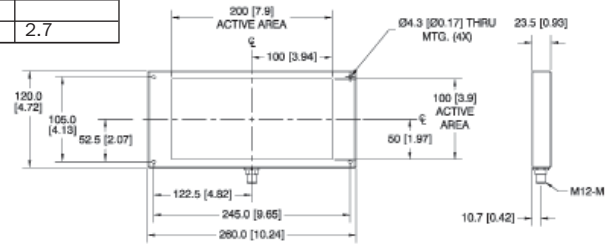
- Locate or measure outside dimensions
- View openings (e.g., drilled holes)
- Diminish clear glass or plastic housings
- Measure thickness of materials
- Locate mounting holes
- Measure translucency
- Diffuse incident (front) lighting

NERLITE® LARGE AREA BACKLIGHT SPECIFICATIONS AND OPTIONS

BACKLIGHT 100x200

DESCRIPTION	nm/K	CONT.		STROBE		LUX		mw/cm ²	
		CURRENT	CURRENT	CONT	STROBED	CONT	STROBED	CONT	STROBED
Backlight, 100x200, Red	625 nm	700 mA	1.0 A	2500	3550				
Backlight, 100x200, White	5500 K	700 mA	950 mA	1750	2400				
Backlight, 100x200, Blue	470 nm	700 mA	950 mA	685	935				
Backlight, 100x200, Infrared	850 nm	700 mA	1.0 A					1.9	2.7

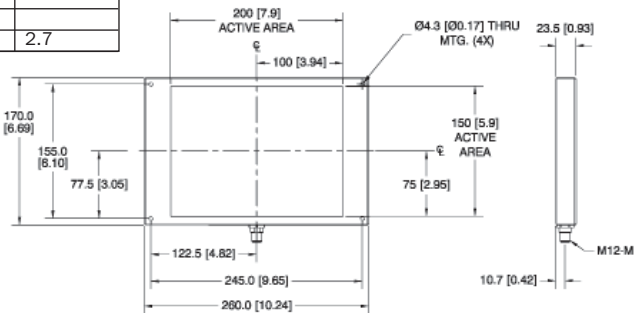
Active Area: 3.9" x 7.9" (100 mm x 200 mm) **Weight:** 39 oz. (1100 g)
Dimensions: H 4.72" (120 mm) x W 10.24" (260 mm) x D 0.93" (23.5 mm)



BACKLIGHT 150x200

DESCRIPTION	nm/K	CONT.		STROBE		LUX		mw/cm ²	
		CURRENT	CURRENT	CONT	STROBED	CONT	STROBED	CONT	STROBED
Backlight, 150x200, Red	625 nm	1.05 A	1.5 A	2500	3550				
Backlight, 150x200, White	5500 K	1.05 A	1.43 A	1750	2400				
Backlight, 150x200, Blue	470 nm	1.05 A	1.43 A	685	935				
Backlight, 150x200, Infrared	850 nm	1.4 A	2.0 A					1.9	2.7

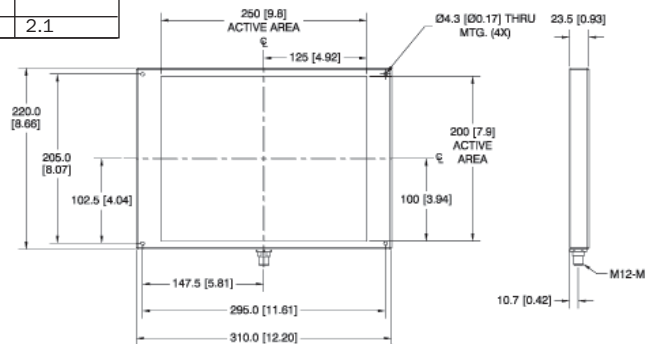
Active Area: 5.9" x 7.9" (150 mm x 200 mm) **Weight:** 53 oz. (1500 g)
Dimensions: H 6.69" (170 mm) x W 10.24" (260 mm) x D 0.93" (23.5 mm)



BACKLIGHT 200x250

DESCRIPTION	nm/K	CONT.		STROBE		LUX		mw/cm ²	
		CURRENT	CURRENT	CONT	STROBED	CONT	STROBED	CONT	STROBED
Backlight, 200x250, Red	625 nm	1.4 A	2.0 A	2000	2850				
Backlight, 200x250, White	5500 K	1.4 A	1.9 A	1400	1900				
Backlight, 200x250, Blue	470 nm	1.4 A	1.9 A	550	750				
Backlight, 200x250, Infrared	850 nm	1.4 A	2.0 A					1.5	2.1

Active Area: 7.9" x 9.8" (200 mm x 250 mm) **Weight:** 85 oz. (2400 g)
Dimensions: H 8.66" (220 mm) x W 12.2" (310 mm) x D 0.93" (23.5 mm)



ENVIRONMENTAL

Operating Temperature: 0° to 40° C (32° to 104° F)

Storage Temperature: 0° to 50° C (32° to 122° F)

Humidity: up to 95% (non-condensing)

LIGHTING PARAMETERS

Active Area Defined: Area of light output from the illuminator

LIGHT SOURCE

Type: High output LEDs

Light Output: Lux (lumens per square centimeter)

Radiant Output: Milliwatts per square centimeter (mw/cm²)

Expected Life: 50,000 hours

Eye Safety: EN 60825-1: Class 2

CONNECTOR

Type: 4-pin M12 male panel mount

ELECTRICAL

Power (Continuous Operation): Use of NERLITE LC Series or NL-200 Series controller is required. See Backlight configuration guide to select appropriate controller for your application.

Power (Strobe Operation): 1 ms max. pulse width, 6% max duty cycle. Use of NERLITE NL-200 Series controller is required.

CE COMPLIANT

ISO CERTIFICATION

Certified ISO 9001:2008 Quality Management System

WARNING
 DO NOT CONNECT LIGHTS DIRECTLY TO
 24 VDC. LIGHTS WILL BE DAMAGED.

©2011 Microscan Systems, Inc. SP049B 02/11
 Microscan Applications Engineering is available to assist with evaluations.
 Results may vary depending on symbol quality. **Warranty**—One year
 limited warranty on parts and labor. Free extended 3 year warranty upon
 online product registration.

MICROSCAN®

Microscan Systems Inc.

Tel 425 226 5700 / 800 251 7711

Fax 425 226 8250

Microscan Europe

Tel 31 172 423360 / Fax 31 172 423366

Microscan Asia Pacific

Tel 65 6846 1214 / Fax 65 6846 4641

www.microscan.com

Product Information: info@microscan.com

Auto ID Support: helpdesk@microscan.com

Vision Support: visionsupport@microscan.com

NERLITE Support: nerlitesupport@microscan.com