

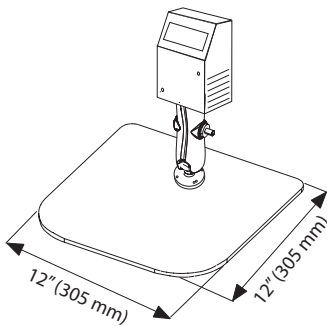
MOUNTING ARM/ADAPTER

The Microscan mounting arm is a robust device for mounting unattended bar code scanners in virtually any environment, including industrial applications.

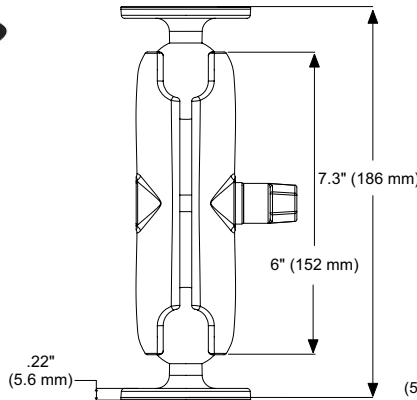
The arm is made of marine-grade powder-coated aluminum. The ball (which forms the joint) is made of injection-molded rubber that grips the mount firmly in place and minimizes any movement or vibration of the scanner. Mounting arms can be rotated into almost any position, allowing for flexible placement of your bar code scanner.



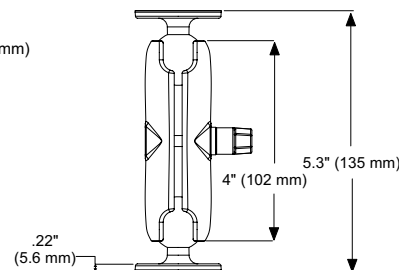
Larger Base Plate
(Scanner not included in kit)



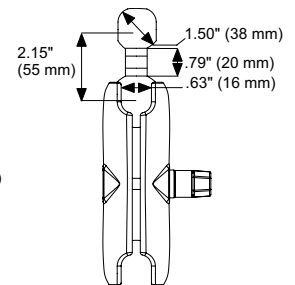
6-Inch (152 mm) Mounting Arm



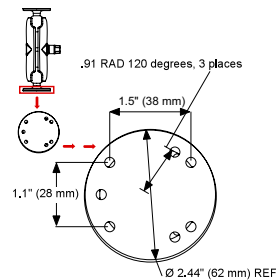
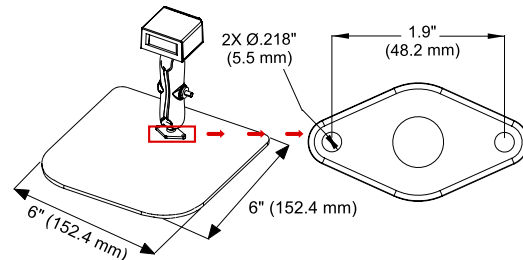
4-Inch (102 mm) Mounting Arm








Extension Joint Kit(s)
(Includes 1 Mounting Arm)



Smaller Base Plate
(Scanner not included in kit)



Mounting Arm Options Kits include scanner mount, mounting arm, and base mount

Microscan Model					
MS-890	QX-870, QX-830, QX Hawk	MS-9	MS-2, MS-3, MS-4, MINI Series	IB-890	
Mounting Kits	98-000018-01 6" (152 mm) kit	98-000016-01 6" (152 mm) kit	98-000019-01 6" (152 mm) kit	98-000048-01 4" (102 mm) kit	98-000017-01 6" (152 mm) kit
Extension Joint	MS-890, QX-870, QX-830, MS-9, QX Hawk: 98-000037-01 6-inch (152 mm) extension; MS-3, MS-4, Quadrus MINI: 98-000053-01 4-inch (102 mm) extension; MS-3, MS-4, Quadrus MINI: 98-000053-02 3-inch (75.6 mm) extension; Kits include extension joint and mounting arm.				
Base Plate	MS-890, QX-870, QX-830, MS-3, MS-4, Quadrus MINI, QX Hawk: 98-000054-01 6 x 6-inch (152.4 by 152.4 mm); Mounting screws are included with the arm.				