

NERLITE® CDI®

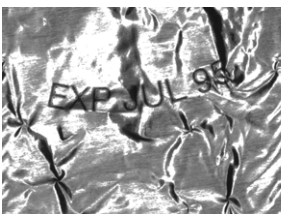


CDI: At a Glance

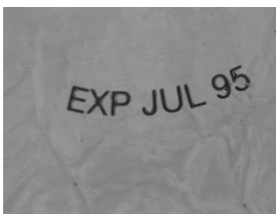
- Outstanding uniformity
- Self-contained cloudy day lighting for highly complex applications
- Makes glass and clear plastic container surfaces disappear
- Ideal for extremely difficult specular surfaces

Illumination Example:

Object



Resulting Image



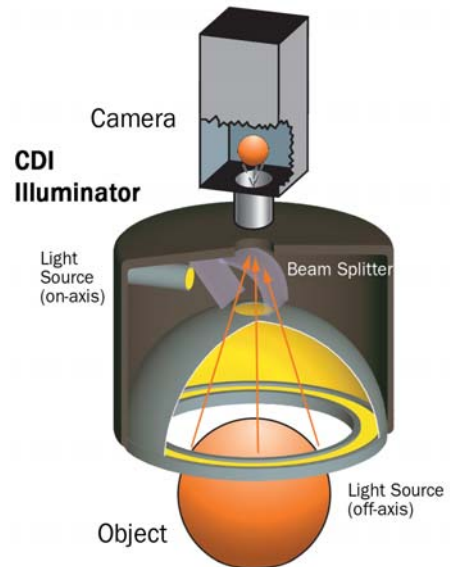
Wrinkled foil pouch: Image captured clearly shows date and lot code.

For more information on this product, visit www.microscan.com.

Cloudy Day Illuminator

Microscan's wide range of NERLITE products can illuminate any part or mark for successful machine vision and auto ID applications.

CDI illuminators provide extraordinary diffuse lighting performance for critical applications. The patented design makes it ideal for inspecting highly faceted and undulating reflective surfaces. CDI illumination allows products to be inspected in the package, including blister-packaged pharmaceutical products or computer chips inside of a clear packaging tube.



Application Examples

- Differentiate specular, diffuse, or absorptive features on bumpy/wrinkled surfaces
- Reduce shadows
- Diminish clear overcoats or coverings
- CD/DVD artwork verification
- Packaged product inspection (pharmaceuticals, computer chips)

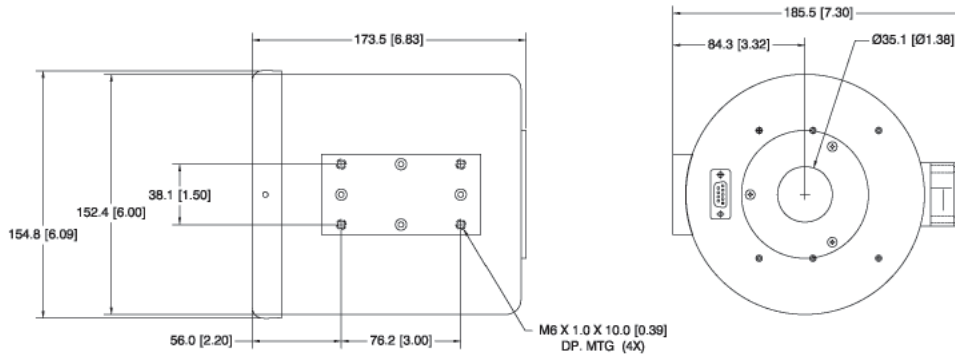
MICROSCAN®

NERLITE® CDI® SPECIFICATIONS AND OPTIONS

CDI 150/25

DESCRIPTION	nm/K	CONT. CURRENT			LUX
		ON AXIS LIGHTING	OFF AXIS LIGHTING	FAN	
CDI-150/25, Red Continuous	636 nm	240 mA	80 mA	62 mA	482
CDI-150/25, White Continuous	6500 K	480 mA	160 mA	62 mA	964

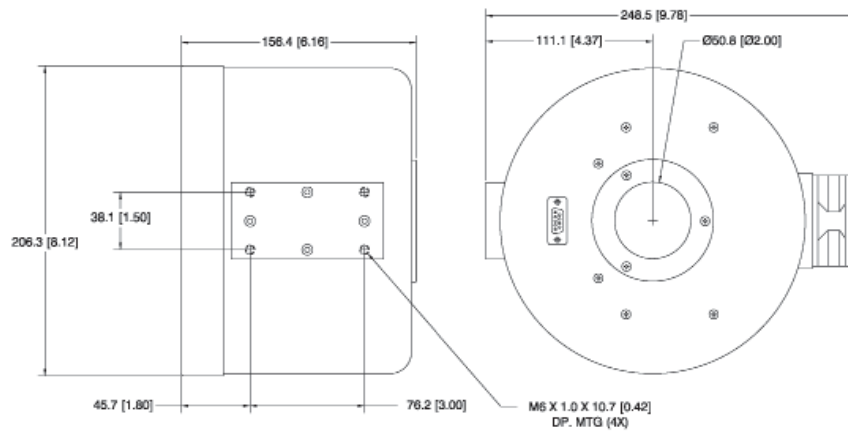
Light Aperture: 4" (102 mm) diameter **Field of View:** 1" (25 mm)
Stand Off: 0.50" (13 mm) **Weight:** 40 oz. (1141 g)
Dimensions: H 6.09" (154.8 mm) x W 7.3" (185.5 mm) x D 6.83" (173.5 mm)



CDI 200/75

DESCRIPTION	nm/K	CONT. CURRENT			LUX
		ON AXIS LIGHTING	OFF AXIS LIGHTING	FAN	
CDI-200/75, Red Continuous	636 nm	300 mA	380 mA	100 mA	1300
CDI-200/75, White Continuous	6500 K	600 mA	760 mA	100 mA	2600

Light Aperture: 5.2" (132 mm) diameter **Field of View:** 3" (75 mm)
Stand Off: 1" (25 mm) **Weight:** 56 oz. (1597 g)
Dimensions: H 8.12" (206.3 mm) x W 9.78" (248.5 mm) x D 6.16" (156.4 mm)



ENVIRONMENTAL

Operating Temperature: 0° to 40° C (32° to 104° F)
Storage Temperature: 0° to 50° C (32° to 122° F)
Humidity: up to 95% (non-condensing)

LIGHTING PARAMETERS

Light Aperture Defined: Area of light output from the coaxial illuminator.

LIGHT SOURCE

Type: High output LEDs
Light Output: Lux (lumens per square meter)
Expected Life: 50,000 hours (Red LEDs)
Expected Life: 10,000 hours (White LEDs)
Eye Safety: EN 60825-1: Class 1

CONNECTOR

Type: DB9 female panel mount, 15ft (4.5M) DB9 male to flying leads cable included

ELECTRICAL

Power: 24 VDC +/- 1%

CE COMPLIANT

ISO CERTIFICATION

Certified ISO 9001:2008 Quality Management System

©2011 Microscan Systems, Inc. SP054B 02/11
 Microscan Applications Engineering is available to assist with evaluations. Results may vary depending on symbol quality. **Warranty**—One year limited warranty on parts and labor. Free extended 3 year warranty upon online product registration.

MICROSCAN®

Microscan Systems Inc.

Tel 425 226 5700 / 800 251 7711
 Fax 425 226 8250

Microscan Europe

Tel 31 172 423360 / Fax 31 172 423366

Microscan Asia Pacific

Tel 65 6846 1214 / Fax 65 6846 4641

www.microscan.com

Product Information: info@microscan.com
 Auto ID Support: helpdesk@microscan.com
 Vision Support: visionsupport@microscan.com
 NERLITE Support: nerlitesupport@microscan.com