

QX-1

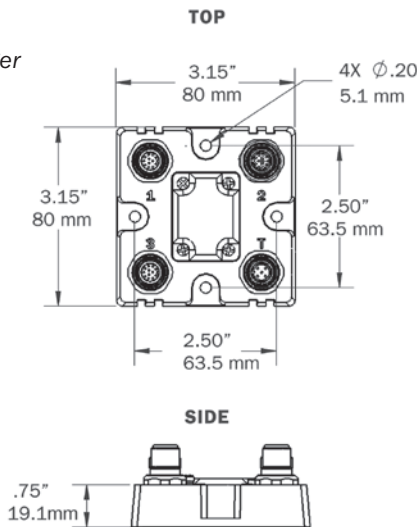


QX-1: At a Glance

- M12 Ultra-Lock Connectors
- Switches for Power and Trigger
- LED Power Indicators
- IP65 Enclosure
- DIN Rail Mounting Option

MECHANICAL

- Depth:** 3.15" (80 mm)
- Width:** 3.15" (80 mm)
- Height:** 0.75" (19.1 mm)
- Weight:** 7-oz. (200 g)



ISO CERTIFICATION

Certified ISO 9001:2008 Quality Management System

©2011 Microscan Systems, Inc. SP021F 10/11

Warranty—One year limited warranty on parts and labor. Free extended 3 year warranty upon online product registration.

Microscan Systems, Inc.

Tel 425 226 5700 | 800 251 7711 | Fax 425 226 8250

Microscan Europe

Tel 31 172 423360 | Fax 31 172 423366

Microscan Asia Pacific

Tel 65 6846 1214 | Fax 65 6846 4641

www.microscan.com

Product Information: info@microscan.com

Technical Support: helpdesk@microscan.com

For more information on this product, visit www.microscan.com.

Quick Connect Interface Device

The QX-1 interface device distributes power, communications, and I/O, and simplifies installation of QX Platform products.

Featuring the Quick Connect system, this device includes four M12 Ultra-Lock™ connectors which provide quick and easy network setup and deployment, as well as flexible mounting options. With Quick Connect technology and IP65 industrial sealing, the QX-1 is a powerful accessory to complement the QX Platform.

PIN ASSIGNMENTS

Connectors 1 and 3 are 12-pin plugs, and Connector 2 is a 12-pin socket. All three connectors can be assigned to bus power and data. The connectors on the QX-1 interface device physically mirror those on the QX products, but they do not have explicit pin assignments. The QX-1 connectors take on the communications and power roles that are assigned to them.

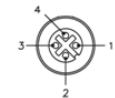
Note: Detailed connector pinout information is available in QX Product User's Manuals.

CONNECTOR T

M12 4-pin socket

Pin Assignment

1	+10-28V
2	Trig/NM/Input 1/Common
3	Ground
4	Trigger



QX-1 WIRING DIAGRAM

