

# MS-CONNECT 210

## Connectivity Solution with Ethernet



The MS-Connect 210 simplifies connectivity of Microscan readers in industrial applications. This factory floor ready wiring box features a vivid display, convenient access holes for easy wire routing, and multiple connectivity options including Ethernet protocols.

The MS-Connect 210 is the ideal Microscan reader accessory for any users seeking an easy connectivity option.

### MS-Connect 210: Easy Integration

- For fast installation and easy maintenance of any Microscan scanner or imager
- IP65 rated industrial design
- Allows for wiring of backup MS-Q reader
- Better organization of cables and wiring on factory floor
- Protocol conversion allows connection via Ethernet

For more information on this product, visit [www.microscan.com](http://www.microscan.com).

#### Ethernet Connectivity

Connect to a host using serial or Ethernet connection. Ethernet TCP/IP and EtherNet/IP protocols are available out of the box.

#### Practical Design

Four access holes located on the box allow users quick, easy, and clean wiring of inputs and outputs. Mounting is simplified with four accessible through-holes for mounting screws. An optional plate is available for easy DIN rail mounting.

#### Informative Display

Providing two lines of decoded information, the optional display is ultra-bright and easy to read.

#### Clear Wiring Path

Wiring to the appropriate terminal block is easily accomplished, due to the access holes and a clear area located between the terminal rows.

#### I/O Indicators

The front panel on the MS-Connect 210 provides visual confirmation of performance. Multiple colors are used for easy recognition.

#### Additional Power & Backup

The MS-Connect 210 includes the option to power three additional readers. It also includes internal connections for a MS-Q reader that can be used as a backup.

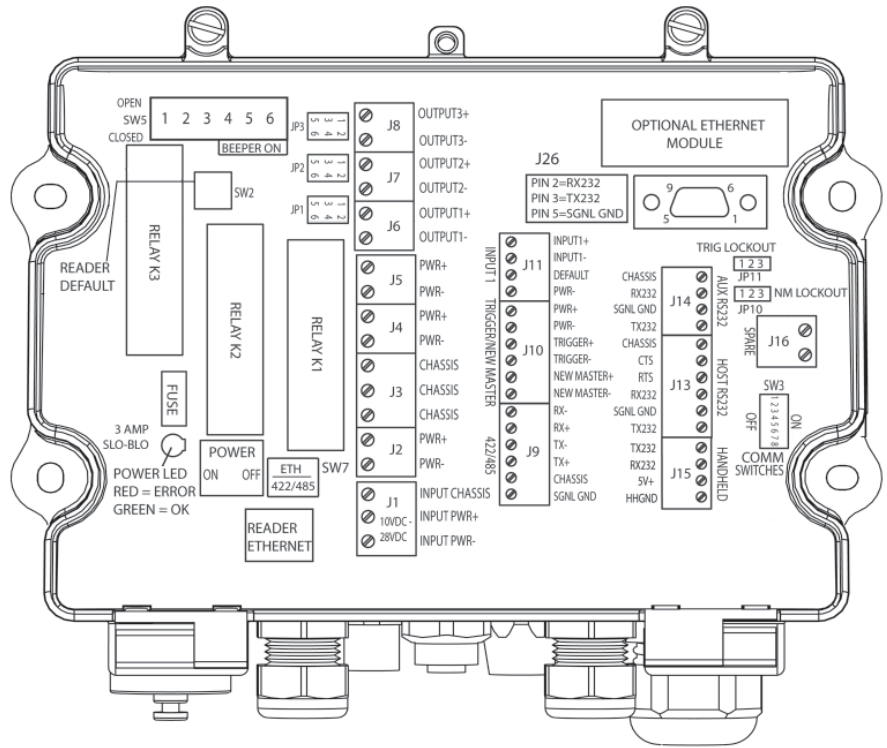
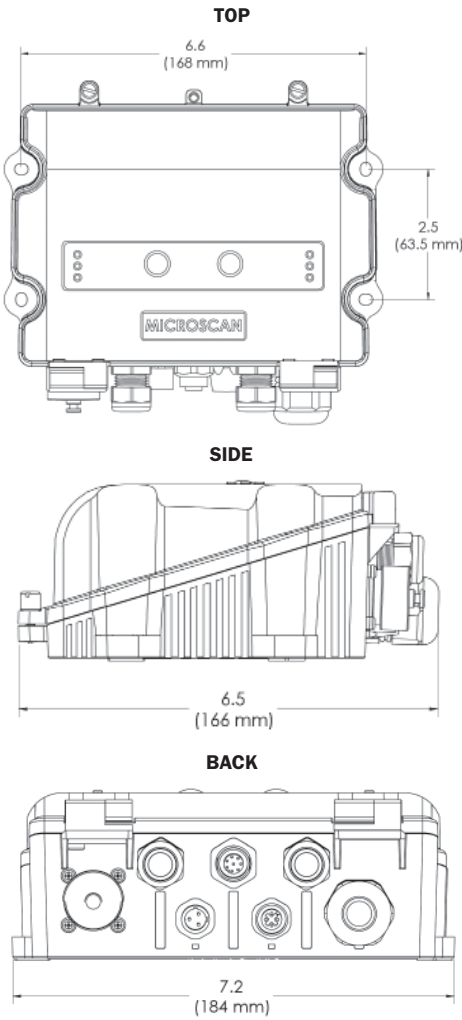
#### Relay Modules

The MS-Connect 210 includes slots for optional relay modules to allow for greater use of external devices including light stacks.



# MS-CONNECT 210 SPECIFICATIONS AND OPTIONS

## MS-CONNECT 210 INTERNAL VIEW



### MECHANICAL

**Length:** 7.3" (184 mm) **Width:** 6.3" (160 mm)  
**Height:** 2.8" (71 mm) **Weight:** 1.6 lb. (726 g)

### ENVIRONMENTAL

**Enclosure:** IP65  
**Humidity:** up to 90% (non-condensing)  
**Operating Temperature:** 0° to 50° C (32° to 122°F)  
**Storage Temperature:** -30° to 70° C (-22° to 158°F)

### ELECTRICAL

**Power:** 10-28 V  
**MS-Q:** 5 VDC

### PLUGGABLE RELAY MODULE

K1	Pluggable Relay Module
K2	Pluggable Relay Module
K3	Pluggable Relay Module

### INPUTS/OUTPUTS

J1	Input Power 10-28 VDC
J2	Output Power 10-28 VDC
J3	Chassis
J4	Output Power 10-28 VDC
J5	Output Power 10-28 VDC
J6	Output 1
J7	Output 2
J8	Output 3
J9	RS 422/485
J10	Trigger/New Master
J11	Input 1
J13	Host RS-232
J14	Aux RS 232
J15	MS-Q 5 VDC
J16	Spare

### CE MARK

**General Immunity for Heavy Industry:**  
EN 55024: 1998 ITE Immunity Standard  
EN 61000-6-2:2001

### EMISSIONS

EN 55022:1998 Class A

### INDICATORS

**Digital Display:** 2X20 Alphanumeric characters  
**Beeper:** Configurable LEDs: I/O status, Serial

### TERMINAL BLOCKS MAX RATING

**J1-J8 Wire Range:** 26 to 14 AWG.  
**Wire Strip Length:** 11 mm  
**J9-J15 Wire Range:** 22 to 18 AWG.  
**Wire Strip Length:** 5 mm  
**J2-J5 Max Voltage:** 28 VDC. **Max Current:** 4 Amps  
**J6-J8 Max Voltage:** 240 VAC. **Max Current:** 3 Amps

### COMMUNICATION PROTOCOLS

**Standard Interface:** RS-232, RS-422

### ACCESS CGB

**Small:** Access diameter range 0.18" to 0.39"  
(4.5 to 10 mm)  
**Large:** Access diameter range 0.2" to 0.5"  
(5 to 12.7 mm)

### JUMPERS

JP1	Relay Output 1 Options
JP2	Relay Output 2 Options
JP3	Relay Output 3 Options
JP 11	Trigger Button Lockout
JP 10	New Master Button Lockout

### SWITCHES

SW1	On/Off
SW2	Reader Default
SW3	Display Comm Switches
SW5	Reader Output Indicators
SW7	Reader Ethernet Option

### CONNECTORS

**Reader:** M23 19-pin circular socket connector  
**Trigger:** 4-pin MicroChange socket  
**Power:** 3-pin MicroChange plug

### OTHER ACCESSORIES

**Type:** DIN rail kit, Relay modules  
**Industrial Ethernet Connector:** 8-pin M12 MicroChange socket

### SAFETY CERTIFICATIONS DESIGNED FOR

FCC, UL/cUL, CE, BSMI

### ROHS/WEEE COMPLIANT

### ISO CERTIFICATION

Certified ISO 9001:2008 Quality Management System

©2011 Microscan Systems, Inc. SP022E 01/11

**Warranty**—One year limited warranty on parts and labor. Free extended 3 year warranty upon online product registration.

# MICROSCAN®

## Microscan Systems Inc.

Tel 425 226 5700 / 800 251 7711  
Fax 425 226 8250

## Microscan Europe

Tel 31 172 423360 / Fax 31 172 423366

## Microscan Asia Pacific

Tel 65 6846 1214 / Fax 65 6846 4641

## www.microscan.com

Product Information: info@microscan.com  
Auto ID Support: helpdesk@microscan.com  
Vision Support: visionsupport@microscan.com  
NERLITE Support: nerlitesupport@microscan.com