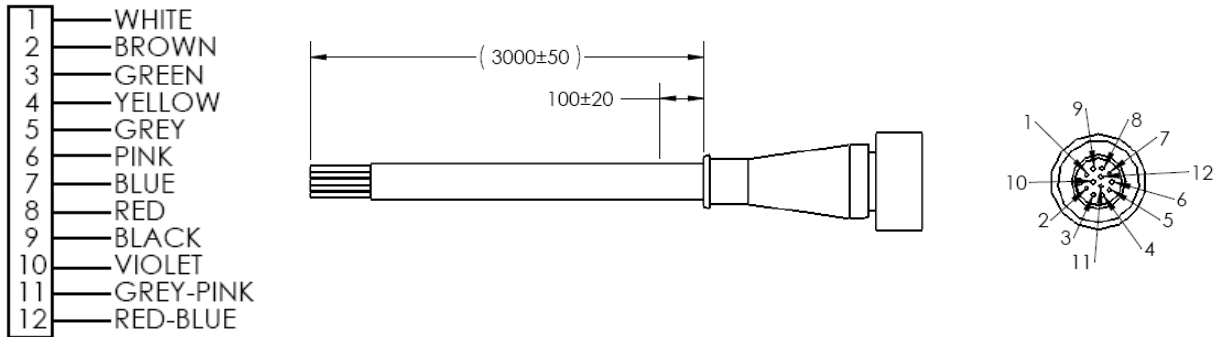


Pinouts for QX Cordsets with Flying Leads

Microscan offers two flying leads cordsets—61-000166-01 and 61-000167-01—for use in QX hardware configurations. The diagrams below show the correspondence of wire colors to pins.

61-000166-01 — QX Cordset, M12 12-Pin Plug, Flying Leads



61-000167-01 — QX Cordset, M12 12-Pin Socket, Flying Leads

