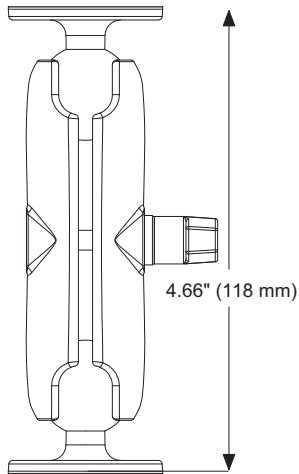


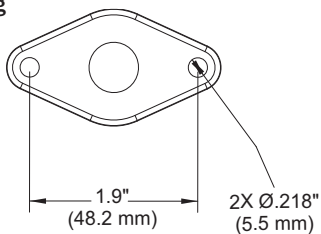
ACCESSORY GUIDE: MS-2 & MS-3

Mounting Arm Kits

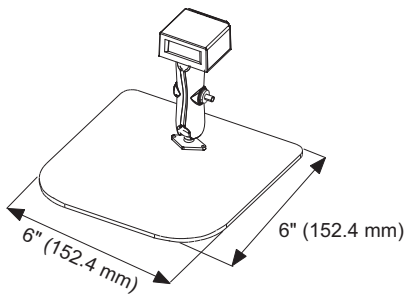
4 Inch Mounting Arm: 98-000048-01



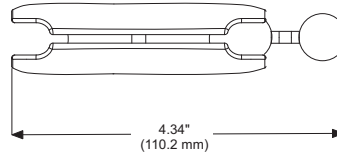
Base Mount Mounting Pattern:



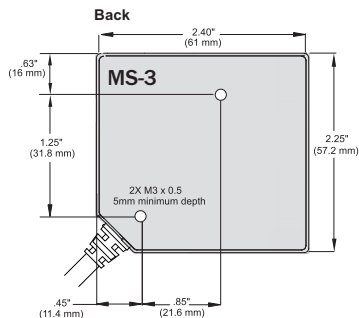
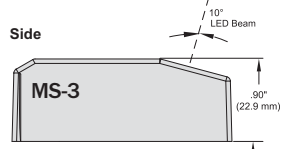
Mounting Arm Kit with Base Plate: 98-000054-01
(scanner and arm are sold separately)



Extension Joints: 98-000053-01 (4-inch)



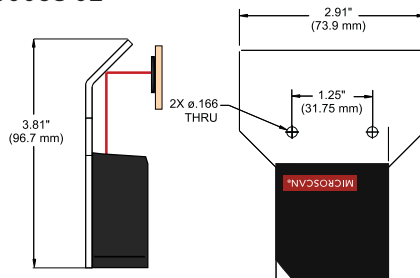
Right Angle Options



Integral Case (MS-3 only):

For more detailed information regarding right angle mounting, please contact a Microscan Inside Sales Manager for specific FIS information and details.

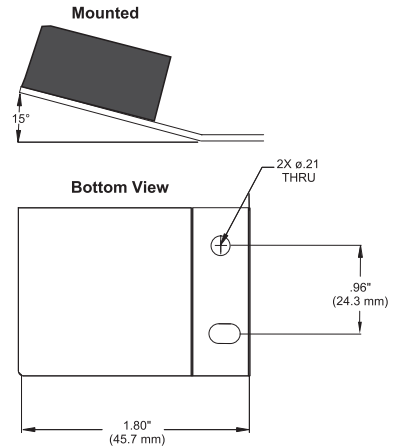
Extended External: 98-000058-02



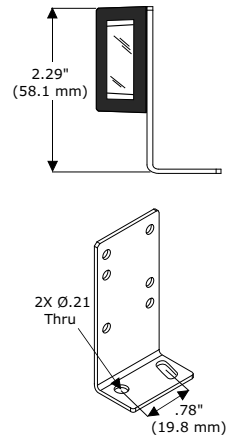
Extended right angle reduces focal length by 2" (50.8 mm)

Mounting Brackets

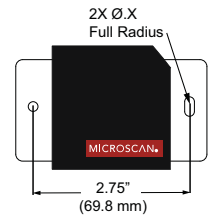
Angle Bracket: 98-000059-01



Side Bracket: 98-000060-01

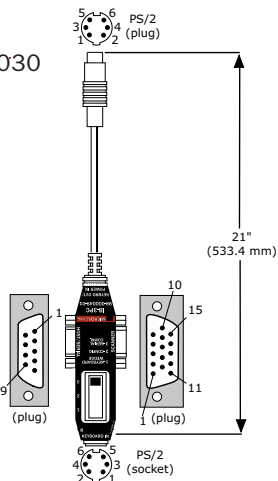


Thru-Hole Bracket: 98-000057-01

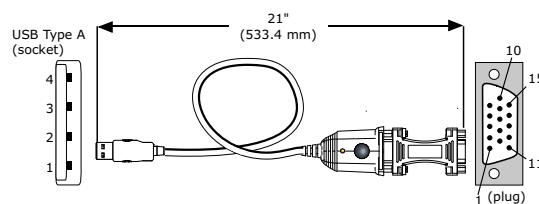


Interface Options (See IB-3 Series Specification for more details)

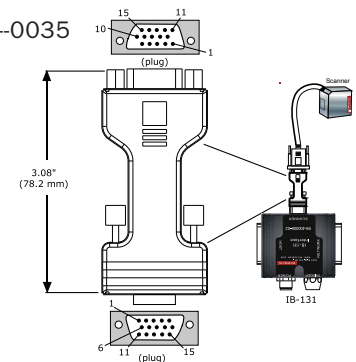
IB-3 PC: FIS-0001-0030



IC-3 USB: 98-000051-01



IC-332: FIS-0001-0035



MS-2 & MS-3 ACCESSORIES

MOUNTING & ACCESSORIES		
Accessory	Microscan Part Number	Description
Mounting Arm Kit	98-000048-01 (4"/ 101 mm)	A highly adjustable mounting arm utilizing ball and socket connections. This allows the arm to be positioned in almost any direction.
Extension Joint Kit	98-000053-01 (4"/101 mm) 98-000053-02 (3"/76 mm)	Allows the mounting arm to be extended. Kits include extension joint and mounting arm.
Base Plate Kit	98-000054-01	Plate for desktop presentation, 6" by 6" (152.4 mm by 152.4 mm).
Side Mount Bracket	98-000060-01	Allows the reader to be mounted at a 90° angle.
Angle Mount Bracket	98-000059-01	Allows the reader to be mounted at a 15° angle.
Through-Hole Mount Bracket	98-000057-01	Allows the reader to be mounted to a surface.
Right Angle Options Extended Right Angle Mirror	98-000058-02	Right angle mirror kit used for changing view direction 90°.
Integral Case (MS-3 Only)	Contact Microscan for FIS No.	Integral case provides alternate side mounting, a right angle beam exit, and a nearer focal point which allows for wider scan at a closer distance.
CONFIGURATION OPTIONS		
IB-3 PC Configuration IB-3 PC Interface	FIS-0001-0030G	An interface device that operates in either keyboard wedge or serial interconnect mode
Communications Cable	61-000010-02	DB-9 socket to DB-9 socket connector, 6' (1829 mm)
Power Supplies	97-000002-01 (US/Euro plug, 5 VDC)	Use with IB-3 PC
IC-3 USB Configuration IC-3 USB	98-000051-01 (USB Conversion Kit)	Allows reader to be compatible with USB 1.X protocol. Allows reader to draw 5 VDC from the USB connector, allows the system to function without an extra power supply. Virtual Com Port SW Driver.
IC-332 Configuration IC-332	FIS-0001-0035G	Connects reader to IB-131. Alters the pinout, converting voltage level to 10-28.
IB-131	99-000018-01	Allows reader to be connected in a daisy chain configuration. Requires 1 kit per reader.
IB-131 Multidrop Trunk Cable	61-100030-03	Cable for connecting IB-131s, 10' (3048 mm)
Crossed Multidrop Cable	61-000113-01	Cable connects IB-131 to MS-Connect 5100, 10' (3048 mm)
Daisy Chain Cable	61-100029-03	For use in daisy chain set-up, connects IB-131s, 1' (305 mm)
Communications Cable	61-300026-01	DB-25 plug to DB-9 socket, 6' (1829 mm)
Power Supply	97-100004-15 (US/Euro plug, 24 VDC)	Use with IC-332
DeviceNet Protocol Box	20-500013-01	The DeviceNet Protocol Box functions as a serial gateway for converting the RS-232 signal into DeviceNet protocol
Object Detector	99-000017-01 99-000017-02	Photo Sensor, Visible, NPN, DARK ON Photo Sensor, Visible, NPN, LIGHT ON
DOCUMENTATION		User Manuals and ESP software (1 copy free per order)

©2010 Microscan Systems

www.microscan.com