

## NERLITE® 条形光源

### 紧凑型照明解决方案

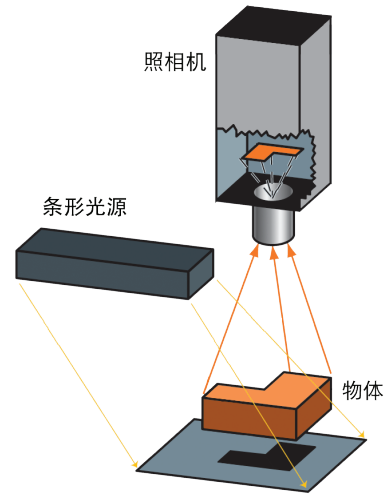


Microscan 种类繁多的 NERLITE 产品可为所有部件或标记提供照明支持，从而成功实现机器视觉和自动识别应用。

窄小、紧凑的条形光源是均匀入射照明的经济、可靠选择。可用于暗场照明（生成阴影与镜面反射）和亮场照明，工作距离及角度的调整能够在漫射表面提供清晰的图像对比。持续或频闪操作模式能够支持静态或高速应用。

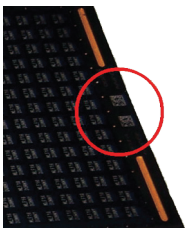
#### 条形光源：简介

- 经济、一般应用设计
- 在集中区域提供均衡照明
- 通过在暗场或亮场照明位置处理各种应用
- 连续及频闪操作的各种颜色与尺寸
- 稳固的外壳及可以使用 50,000 小时的 LED 灯光
- 包括漫射配件



#### 照明示例：

物体



结果影像



电路板：捕捉的图像显示出了高对比度Data Matrix标识。

#### 应用实例

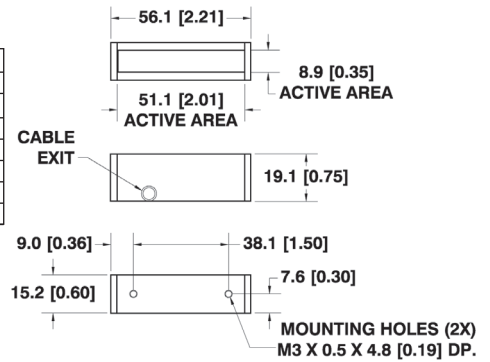
- 定位或测量外围尺寸
- 照亮平坦的漫射表面
- 产品缺陷检查
- 标签位置确认
- 非漫射入射（前）照明
- 暗场或亮场照明

# NERLITE® BAR LIGHT SPECIFICATIONS AND OPTIONS

## LA 50

DESCRIPTION	nm/K	CONT. CURRENT	STROBE CURRENT	mcd/cm <sup>2</sup>	
				DIFFUSE	NON-DIFFUSE
LA-50-1, Red Continuous	660 nm	23 mA		2980	5520
LA-50-1, Red Strobe	660 nm		400 mA	26000	48000
LA-50-1, White Continuous	6500 K	40 mA		3348	6200
LA-50-1, White Strobe	6500 K		784 mA	33480	62000
LA-50-1, Blue Continuous	470 nm	40 mA		2700	5000
LA-50-1, Blue Strobe	470 nm		784 mA	27000	50000

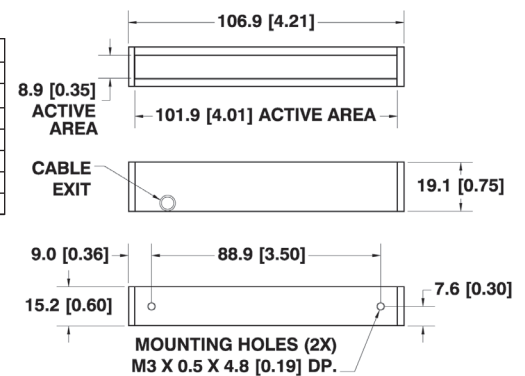
**Active Area:** 2" x 0.35" (51 mm x 8.9 mm) **Weight:** 3 oz. (78 g)  
**Dimensions:** H 0.75" (19.1 mm) x W 2.21" (56.1 mm) x D 0.6" (15.2 mm)



## LA 100

DESCRIPTION	nm/K	CONT. CURRENT	STROBE CURRENT	mcd/cm <sup>2</sup>	
				DIFFUSE	NON-DIFFUSE
LA-100-1, Red Continuous	660 nm	46 mA		2980	5520
LA-100-1, Red Strobe	660 nm		800 mA	26000	48000
LA-100-1, White Continuous	6500 K	80 mA		3348	6200
LA-100-1, White Strobe	6500 K		1.57 A	33480	62000
LA-100-1, Blue Continuous	470 nm	80 mA		2700	5000
LA-100-1, Blue Strobe	470 nm		1.57 A	27000	50000

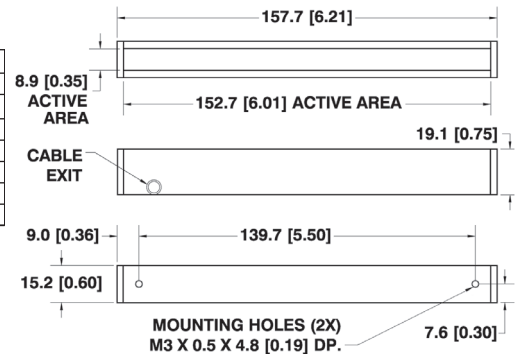
**Active Area:** 4" x 0.35" (102 mm x 8.9 mm) **Weight:** 4 oz. (105 g)  
**Dimensions:** H 0.75" (19.1 mm) x W 4.21" (106.9 mm) x D 0.6" (15.2 mm)



## LA 150

DESCRIPTION	nm/K	CONT. CURRENT	STROBE CURRENT	mcd/cm <sup>2</sup>	
				DIFFUSE	NON-DIFFUSE
LA-150-1, Red Continuous	660 nm	69 mA		2484	4600
LA-150-1, Red Strobe	660 nm		1.2 A	24840	46000
LA-150-1, White Continuous	6500 K	120 mA		3348	6200
LA-150-1, White Strobe	6500 K		2.35 A	33480	62000
LA-150-1, Blue Continuous	470 nm	120 mA		2700	5000
LA-150-1, Blue Strobe	470 nm		2.35 A	27000	50000

**Active Area:** 6" x 0.35" (153 mm x 8.9 mm) **Weight:** 5 oz. (136 g)  
**Dimensions:** H 0.75" (19.1 mm) x W 6.21" (157.7 mm) x D 0.6" (15.2 mm)



## ENVIRONMENTAL

**Operating Temperature:** 0° to 40° C (32° to 104° F)

**Storage Temperature:** 0° to 50° C (32° to 122° F)

**Humidity:** up to 95% (non-condensing)

## LIGHTING PARAMETERS

**Active Area Defined:** Area of light output from the illuminator.

## LIGHT SOURCE

**Type:** High output LEDs

**Light Output:** Millicandelas per square centimeter (mcd/cm<sup>2</sup>)

**Expected Life:** 50,000 hours (Red LEDs)

**Expected Life:** 10,000 hours (Blue, White LEDs)

**Eye Safety:** EN 60825-1: Class 1 (Red, White LEDs); Class 2 (Blue LEDs)

## CONNECTOR

**Type:** 15 ft. (4.5 m) integrated cable with flying leads

## ELECTRICAL

**Power (Continuous Models):** 24 VDC +/- 1%

**Power (Strobe Models):** 1 ms max. pulse width, 6% max duty cycle, use of NERLITE NL-200 Series Lighting Controller is required.

## CE COMPLIANT

## ISO CERTIFICATION

Certified ISO 9001:2008 Quality Management System

©2017 Microscan Systems, Inc. SP068CZH-0417

Microscan Applications Engineering is available to assist with evaluations. Results may vary depending on symbol quality.

**Warranty**—One year limited warranty on parts and labor. Free

extended three year warranty available with online product registration.

# MICROSCAN®

**Microscan Systems, Inc. 公司**

电话: +1 425 226 5700 / 800 251 7711

传真: +1 425 226 8250

**Microscan 亚太有限公司**

电话: +65 6846 1214 / 传真: +65 6846 4641

**Microscan 上海**

电话: +86 21 61133752 / 传真: +86 21 61133683

**Microscan 广州**

电话: +86 20 28873800 / 传真: +86 20 28873848

**Microscan 北京**

电话: +86 10 59935887 / 传真: +86 10 59935999

**www.microscan.com**

**产品信息:**

info@microscan.com

**技术支持:**

helpdesk@microscan.com