

NERLITE® CDI®

提供
两种尺寸规格



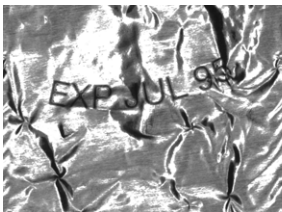
提供
两种颜色

CDI: 简介

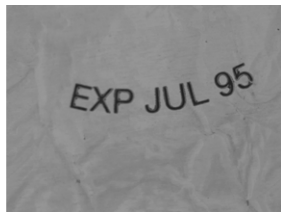
- 出色的均匀性
- 适用于高复杂应用的自给式阴天照明
- 可完全透过玻璃或透明塑料容器表面
- 高度复杂反射面的理想选择

照明示例:

物体



结果影像

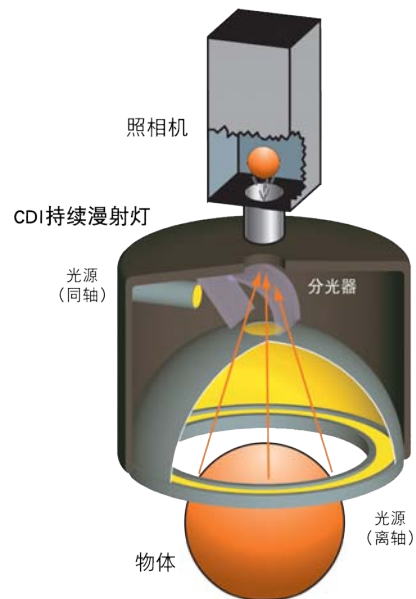


带褶皱的铝箔袋: 所捕获影像可清楚显示日期和批次码。

阴天照灯

Microscan 种类繁多的 NERLITE 产品可为所有部件或标记提供照明支持, 从而成功实现机器视觉和自动识别应用。

CDI 照灯可为关键应用提供出色的漫射照明性能。此项专利设计使其成为检测面数极多的表面和波浪形反射面的理想选择。CDI 照明支持对包装内产品的检测, 其中包括吸塑包装的药品或透明包装管中的计算机芯片。



应用实例

- 区分凹凸面/褶皱面上的反射、漫射或吸收特征
- 减少阴影
- 降低透明外罩或外壳的可视性
- CD/DVD 插图验证
- 检测带包装的产品 (药品、计算机芯片)

NERLITE® CDI® SPECIFICATIONS AND OPTIONS

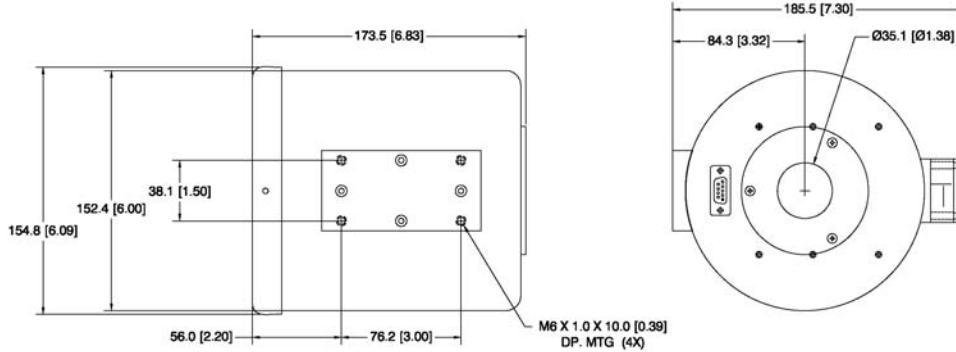
CDI 150/25

DESCRIPTION	nm/K	CONT. CURRENT			LUX
		ON AXIS LIGHTING	OFF AXIS LIGHTING	FAN	
CDI-150/25, Red Continuous	636 nm	240 mA	80 mA	62 mA	482
CDI-150/25, White Continuous	6500 K	480 mA	160 mA	62 mA	964

Light Aperture: 4" (102 mm) diameter **Field of View:** 1" (25 mm)

Stand Off: 0.50" (13 mm) **Weight:** 40 oz. (1141 g)

Dimensions: H 6.09" (154.8 mm) x W 7.3" (185.5 mm) x D 6.83" (173.5 mm)



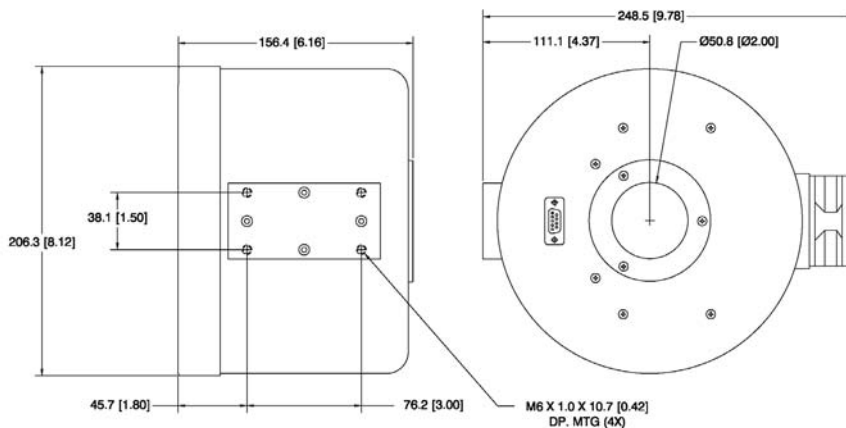
CDI 200/75

DESCRIPTION	nm/K	CONT. CURRENT			LUX
		ON AXIS LIGHTING	OFF AXIS LIGHTING	FAN	
CDI-200/75, Red Continuous	636 nm	300 mA	380 mA	100 mA	1300
CDI-200/75, White Continuous	6500 K	600 mA	760 mA	100 mA	2600

Light Aperture: 5.2" (132 mm) diameter **Field of View:** 3" (75 mm)

Stand Off: 1" (25 mm) **Weight:** 56 oz. (1597 g)

Dimensions: H 8.12" (206.3 mm) x W 9.78" (248.5 mm) x D 6.16" (156.4 mm)



ENVIRONMENTAL

Operating Temperature: 0° to 40° C (32° to 104° F)

Storage Temperature: 0° to 50° C (32° to 122° F)

Humidity: up to 95% (non-condensing)

LIGHTING PARAMETERS

Light Aperture Defined: Area of light output from the coaxial illuminator.

LIGHT SOURCE

Type: High output LEDs

Light Output: Lux (lumens per square meter)

Expected Life: 50,000 hours (Red LEDs)

Expected Life: 10,000 hours (White LEDs)

Eye Safety: EN 60825-1: Class 1

CONNECTOR

Type: DB9 female panel mount, 15ft (4.5M) DB9 male to flying leads cable included

ELECTRICAL

Power: 24 VDC +/- 1%

CE COMPLIANT

ISO CERTIFICATION

Certified ISO 9001:2008 Quality Management System

©2017 Microscan Systems, Inc. SP054A-ZH-0417

Microscan Applications Engineering is available to assist with evaluations. Results may vary depending on symbol quality. **Warranty**—One year limited warranty on parts and labor. Free extended three year warranty available with online product registration.

MICROSCAN®

Microscan Systems, Inc. 公司

电话: +1 425 226 5700 / 800 251 7711

传真: +1 425 226 8250

Microscan 亚太有限公司

电话: +65 6846 1214 / 传真: +65 6846 4641

Microscan 上海

电话: +86 21 61133752 / 传真: +86 21 61133683

Microscan 广州

电话: +86 20 28873800 / 传真: +86 20 28873848

Microscan 北京

电话: +86 10 59935887 / 传真: +86 10 59935999

www.microscan.com

产品信息:

info@microscan.com

自动识别支持:

helpdesk@microscan.com

视觉支持:

visionsupport@microscan.com

NERLITE 支持:

nerlitesupport@microscan.com