

NERLITE® 圆顶灯

提供三种颜色

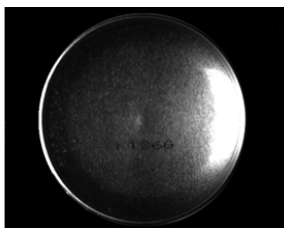


圆顶灯：简介

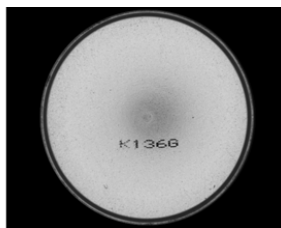
- 经济而应用广泛的通用型设计
- 易于集成
- 连续或频闪漫射 LED 照明

照明示例：

物体



结果影像

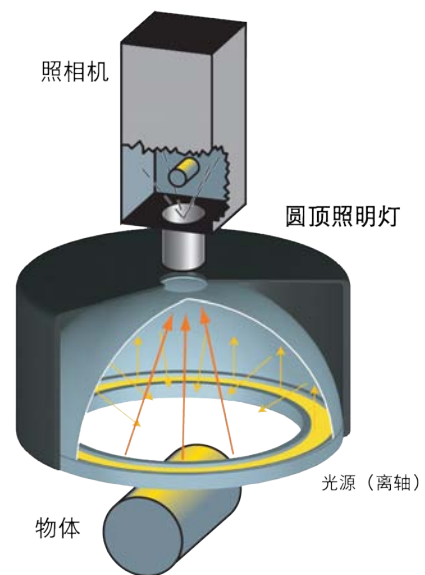


气溶胶罐底部：凹面的均匀照明形成与印刷字符的明显对比。

均匀 照明解决方案

Microscan 种类繁多的 NERLITE 产品可为所有部件或标记提供照明支持，从而成功实现机器视觉和自动识别应用。

圆顶灯照灯是一种经济型漫射均匀光源。其大尺寸立体角照明可支持曲面、闪光面或凹凸面的成像。这种照灯是 NERLITE CDI 照灯的经济高效型替代产品，适用于无需同轴照明组件的应用。



应用实例

- 为漫射型或反射型平面和曲面提供照明
- CD/DVD 标识检测
- 检测表面上的杂质（颗粒、残渣）

NERLITE® DOME SPECIFICATIONS AND OPTIONS

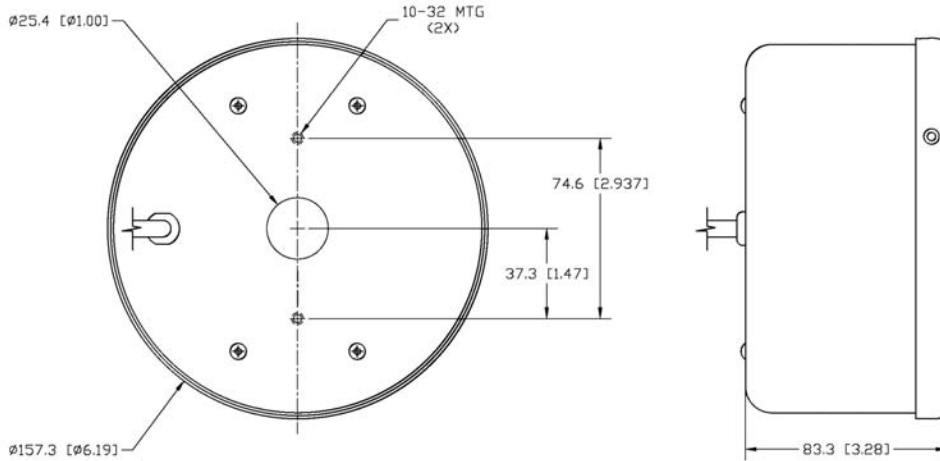
DOME 150

DESCRIPTION	nm/K	CONT. CURRENT	STROBE CURRENT	LUX
DOME-150, Red Continuous	636 nm	80 mA		950
DOME-150, Red Strobe	636 nm		1.6 A pk	9500
DOME-150, White Continuous	6500 K	160 mA		2270
DOME-150, White Strobe	6500 K		3.2 A pk	22700
DOME-150, Blue Continuous	470 nm	160 mA		1960

Light Aperture: 4" (102 mm) diameter

Weight: 18 oz. (510 g)

Dimensions: ∅ 6.19" (157.3 mm) x D 3.28" (83.3 mm)



ENVIRONMENTAL

Operating Temperature: 0° to 40° C (32° to 104° F)

Storage Temperature: 0° to 50° C (32° to 122° F)

Humidity: up to 95% (non-condensing)

LIGHTING PARAMETERS

Light Aperture Defined: Area of light output from the coaxial illuminator.

LIGHT SOURCE

Type: High output LEDs

Light Output: Lux (lumens per square meter)

Expected Life: 50,000 hours (Red LEDs)

Expected Life: 10,000 hours (Blue, White LEDs)

Eye Safety: EN 60825-1: Class 1 (Red, White LEDs); Class 2 (Blue LEDs)

CONNECTOR

Type: 15 ft. (4.5 m) integrated cable with flying leads

ELECTRICAL

Power (Continuous Models): 24 VDC +/- 1%

Power (Strobe Models): 1 ms max. pulse width, 6% max duty cycle, use of NERLITE NL-200 Series Lighting Controller is required.

CE COMPLIANT

ISO CERTIFICATION

Certified ISO 9001:2008 Quality Management System

©2017 Microscan Systems, Inc. SP051A-ZH-0417

Microscan Applications Engineering is available to assist with evaluations.

Results may vary depending on symbol quality. **Warranty**—One year limited warranty on parts and labor. Free extended three year warranty available with online product registration.

MICROSCAN®

Microscan Systems, Inc. 公司

电话: +1 425 226 5700 / 800 251 7711

传真: +1 425 226 8250

Microscan 亚太有限公司

电话: +65 6846 1214 / 传真: +65 6846 4641

Microscan 上海

电话: +86 21 61133752 / 传真: +86 21 61133683

Microscan 广州

电话: +86 20 28873800 / 传真: +86 20 28873848

Microscan 北京

电话: +86 10 59935887 / 传真: +86 10 59935999

www.microscan.com

产品信息:

info@microscan.com

自动识别支持:

helpdesk@microscan.com

视觉支持:

visionsupport@microscan.com

NERLITE 支持:

nerlitesupport@microscan.com