

MS-3 LASER



超小型 条码扫描器


在嵌入式小型条码扫描器中，MS-3 Laser 具有速度最快的读取性能。70 度的广阔扫描角度，并具有超小型的尺寸和灵活的安装方式。

高性能与灵活性使 MS-3 Laser 成为嵌入式扫描设备中阅读性能可靠的理想之选。

MS-3 Laser: 简介

- 每秒解码次数: 最多 1000 次
- 读取范围: 2 至 10" (51 至 254 mm)
- 广阔的扫描角度
- IP54 封装

 **ESP®:** Easy Setup Program (简易设置程序) 软件, 为所有 Microscan 扫描器提供了迅速简便的设置和配置。

 **EZ 按钮:** 此按钮可使读取器在不要求使用计算机的情况下, 执行设置和配置操作。

有关详细信息, 请访问 www.microscan.com。

MS-3 Laser: 可读码

线性条码  所有标准

堆栈标签  PDF417 码

体积小巧, 机身轻盈
1.75" (44.5 mm) 的方形底面以及 .85" (21.6 mm) 高的扫描器, 仅重 2 盎司 (57 克), 便于安装到自动化设备或置于狭小的空间中。

高速扫描
可调整的扫描速度, 每秒解码次数从 300 到最高为 1000 次, 而 Microscan 的世界级解码算法可确保每次扫描都能获得准确的数据。

广阔的扫描角度
超过 70 度的广阔扫描角度以及工厂定制的焦点相结合, 可以节省整个系统的空间, 并允许更加灵活地放置。

可见指示器
位于扫描器顶部的 LED 指示灯以可见方式确认扫描器的执行情况。

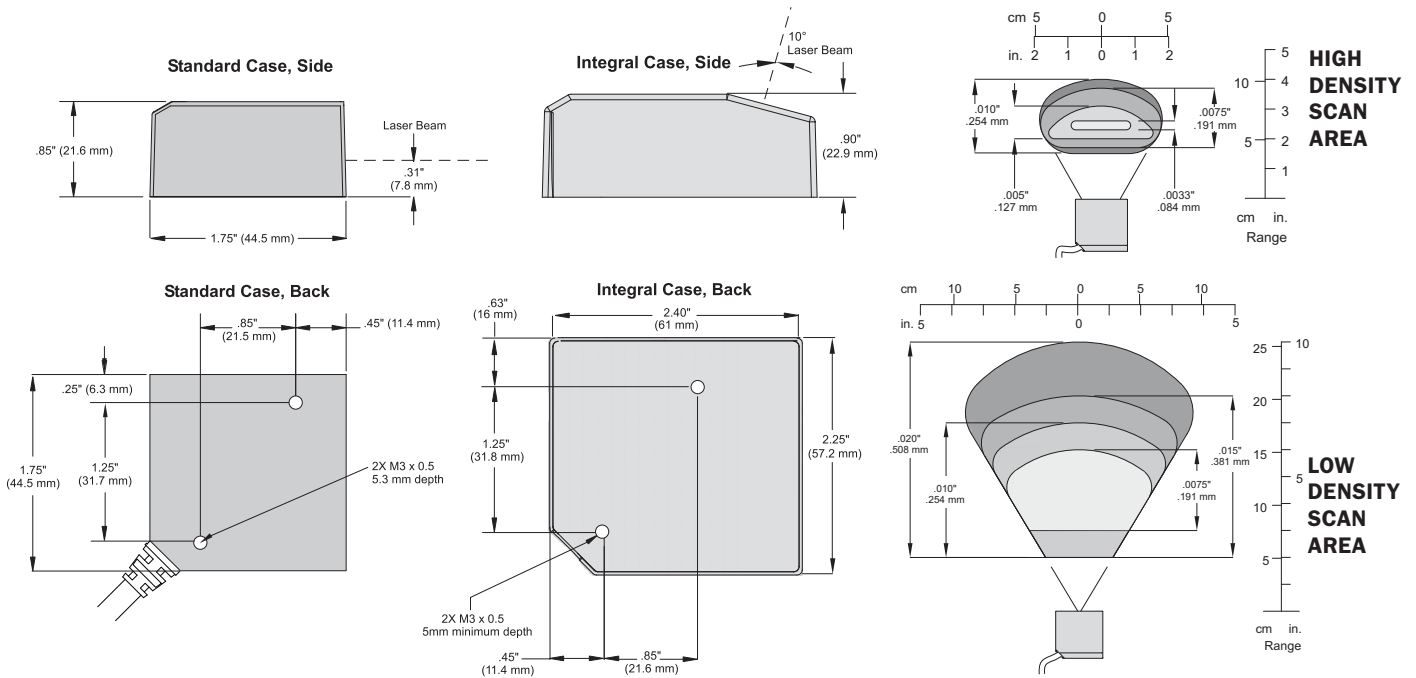
实时控制
输入包括一个触发信号、一个“新主码”输入和一个用于重设计数器或释放输出的可编程输入。输出可通过设置在若干条件下激活, 包括匹配代码和诊断操作。

应用实例

- 临床仪器
- 银行 ATM 设备
- 停车场
- 收款机终端
- 机器人技术

MICROSCAN®

MS-3 LASER SCANNER SPECIFICATIONS AND OPTIONS



Note: Nominal dimensions shown. Typical tolerances apply.

MECHANICAL

Weight (Standard): 2 oz. (57 g)
Weight (Right Angle): 2.8 oz. (87 g)

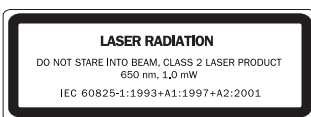
ENVIRONMENTAL

Housing: IP54 (category 2)
Operating Temperature: 0° to 50° C (32° to 122°F)
Storage Temperature: -50° to 75° C (-58° to 167°F)
Humidity: Up to 90% (non-condensing)
Operating Life: 40,000 hours at 25° C

CE MARK

General Immunity for Light Industry:
 EN 55024: 1998 ITE Immunity Standard
Radiated and Conducted Emissions of ITE Equipment: EN 55022:98 ITE Disturbances

LASER LIGHT



Type: Semiconductor visible laser diode (650 nm nominal)
Safety Class: CDRH Class II, 1.0 mW max.

COMMUNICATION

Interface: RS-232, RS-422/485 (up to 115.2k), Keyboard Wedge, USB

PROTOCOLS

Point-to-Point • Point-to-Point w/RTS/CTS • Point-to-Point w/XON/XOFF • Point-to-Point w/RTS/CTS & XON/XOFF • Polling Mode D • Multidrop • User Defined • User Defined Multidrop • Daisy Chain

SCANNING PARAMETERS

Options: single line, fixed raster
Optional Raster: 7 raster lines over 1.5° arc (or 0.30" raster height at 4.5" [114 mm] distance)
Scan Rate: Adjustable from 300 to 1000 scans/second, default=500
Scan Width Angle: >70°
Pitch: ±50°
Skew: ±40°
Label Contrast: 25% min. @ 650 nm

HOST CONNECTOR/PIN ASSIGNMENTS

High Density 15 Pin D-sub Socket Connector

Pin No.	Host RS232	Host/Aux RS232	Host RS422/485	In/Out
1	Power +5 VDC			In
2	TxD	TxD	TxD(-)	Out
3	RxD	RxD	RxD(-)	In
4	Power/Signal Ground			
5	NC			
6	RTS	Aux TxD	TxD(+)	Out
7	Output 1 TTL ^a			Out
8	Default configuration ^b			In
9	Trigger			In
10	CTS	Aux RxD	RxD (+)	In
11	Output 3 TTL ^a			Out
12	New Master (NPN)			In
13	Chassis ground ^c			
14	Output 2 TTL ^a			Out
15	NC			

a. Can sink 10 mA and source 2 mA.
 b. The default is activated by connecting pin 8 to ground pin 4.
 c. Chassis ground: Used to connect chassis body to earth ground only. Not to be used as power or signal return.

CONNECTOR

Type: 3 ft. cable terminated with High Density 15-pin D-Sub socket connector

ELECTRICAL

Power: 5 VDC +/- 5 %, 200 mV p-p max. ripple, 260 mA @ 5 VDC (typ.)

DISCRETE I/O

Trigger Input: 3 to 24V rated (1 mA @ 5 VDC)
New Master: 3 to 24V rated (1 mA @ 5 VDC)
Outputs (1, 2, 3): 5V TTL compatible, can sink 10 mA and source 2mA

SYMBOLOGIES

Code 39, Codabar, Code 128, I 2 of 5, Code 93, UPC/EAN, Pharmacode, PDF417 (option)

INDICATORS

Beeper: Good read, Match/Mismatch, Noread,
On/Off LEDs: 1 status, 1 power, 5 read performance (representing percentage of good decodes)

READ RANGES

Narrow-bar-width	Read Range
HIGH DENSITY	
.0033" (.084 mm)	2.3" to 2.6" (58 to 66 mm)
.005" (.127 mm)	2" to 3.1" (51 to 79 mm)
.0075" (.191 mm)	1.7" to 3.7" (43 to 94 mm)
.010" (.254 mm)	1.5" to 4" (38 to 102 mm)
LOW DENSITY	
.0075" (.191 mm)	3" to 6" (76 to 152 mm)
.010" (.254 mm)	2" to 7" (51 to 178 mm)
.015" (.381 mm)	2" to 8" (51 to 203 mm)
.020" (.508 mm)	2" to 10" (51 to 254 mm)

Note: For Right Angle option, subtract 0.6" (15 mm) from read range. Read ranges are based upon optimal scan speed for specific symbol density.

SAFETY CERTIFICATIONS DESIGNED FOR CDRH, FCC, UL/cUL, CE, BSMI

ROHS/WEEE COMPLIANT

ISO CERTIFICATION

Certified ISO 9001:2008 Quality Management System

©2017 Microscan Systems, Inc. SP017G-ZH-0417

Read Range and other performance data is determined using high quality Grade A symbols per ISO/IEC 15415 and ISO/IEC 15416 in a 25° C environment. For application-specific Read Range results, testing should be performed with symbols used in the actual application. Microscan Applications Engineering is available to assist with evaluations. Results may vary depending on symbol quality. **Warranty**—One year limited warranty on parts and labor. Free extended 3 year warranty upon online product registration.

MICROSCAN®

Microscan Systems Inc.

Tel 425 226 5700 / 800 251 7711
 Fax 425 226 8250

Microscan Asia Pacific

Tel 65 6846 1214 / Fax 65 6846 4641

Microscan Shanghai (East China)

Tel +86 21 61133752 / Fax +86 21 61133683

Microscan Guangzhou (South China)

Tel +86 20 28873800 / Fax +86 20 28873848

Microscan Beijing (North China)

Tel +86 10 59935887 / Fax +86 10 59935999

www.microscan.com

Product Information: info@microscan.com
 Auto ID Support: helpdesk@microscan.com
 Vision Support: visionsupport@microscan.com
 NERLITE Support: nerlitesupport@microscan.com