

MS-890



工业用自动化扫描器

MS-890 是一种重型扫描器，具有极高的灵活性，用于在各种工厂条件下解决大量实际应用。它具备经扩展的读码范围以及智能扫描光栅，为线性条码以及堆栈标签提供了强大的读取功能。

多功能和坚实的设计，使 MS-890 成为理想的工业用扫描器。

MS-890: 简介

- 每秒解码次数：400 至 1000 次
- 读取范围：10 至 120" (254 至 3048 mm)
- IP65 封装
- 可选 IB-890 接线盒



ESP® 简易设置程序：单点软件解决方案为所有 Microscan 阅读器提供迅速、简便的设置和配置。



EZ 按钮：此按钮可在不使用计算机的情况下，对阅读器进行设置和配置。



可见指示器：性能指示灯包括“有效读取”时的绿色闪光和 LED 指示灯。



扫描光栅：此可编程功能使阅读器能扫描不同距离和不同位置的多种标签。

有关详细信息，请访问 www.microscan.com。

读码范围广

MS-890 光学系统的设计，旨在能够以扩展或变化的距离成功读码，例如在传送带或组装区域周围的安全地带或间隙地带进行读码。

可见指示器

发光 LED 指示灯位于 MS-890 对于所有成功读码提供即时视觉确认。有效读取绿色闪光从前窗投射出，在扫描器的 360 度范围内清晰可见。

可选接线盒

IB-890 接线盒提供了方便灵活的集成性，不需要任何特殊电缆或连接器。其功能包括：

- 以太网
- 插接式继电器模块
- 接线条的连接性
- 与手持式扫描器的连接性

智能光栅

MS-890 的特色之一是可以为扫描角度和速度进行优化的智能光栅，从而可以读取多个符号或安置不一致的标签。

自动校准

自动校准功能可自动确定并选择焦距、增益值和跟踪性能等的最佳读取设置。

条码编程

可在车间就地更改扫描器，方法十分简单，只需要对准条码并按 EZ 按钮。使用此功能可很方便地在多台 MS-890 扫描器上重复进行设置。

应用实例

- 轻工业到重工业
- 升降机或传送带

MS-890: 可读码

线性条码

所有标准



堆栈码

PDF417



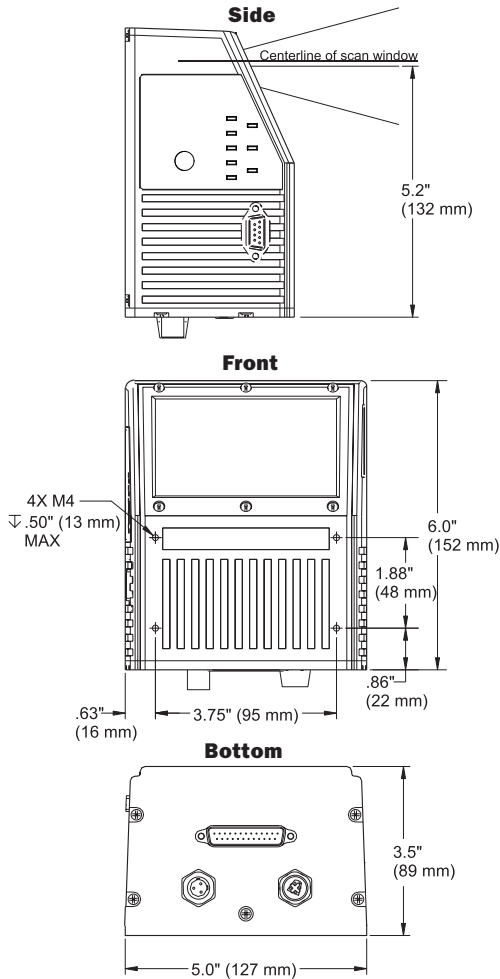
AIAG 格式

MICROSCAN®

MS-890 SCANNER SPECIFICATIONS AND OPTIONS

MECHANICAL

Length: 3.5" (88 mm)
Width: 5" (127 mm)
Height: 6" (152 mm)
Weight: 5 lbs. (2268 g)

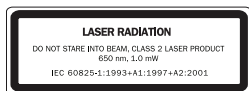


ENVIRONMENTAL

Enclosure: IP65
Operating Temperature: 0° to 50° C (32° to 122° F)
Storage Temperature: -50° to 75° C (-63° to 167° F)
Humidity: Up to 90% (non-condensing)

LASER LIGHT

Type: Semiconductor visible laser diode (650 nm nominal)
Operating Life: 50,000 hours @ 25° C (77° F)
Safety Class: CDRH Class II



SCANNING PARAMETERS

Scanner Mirror Type: Rotating, single line, 14-faceted mirror
Scan Rate: Adjustable from 400 to 1000 scans/second (default = 500 sps)
Raster Sweep Speed: 1 to 30 sweeps per second
Raster Sweep Angle: 30° maximum
Scan Width Angle: Typically 60°
Pitch Angle: ±50° maximum
Skew Angle: ±40° maximum
Label Contrast: 25% min. absolute dark to light differential at 650 nm wavelength

READ RANGES¹

Narrow-Bar-Width	Read Range
.0075" (0.190 mm)	10" to 35" (254 to 889 mm)
.010" (0.254 mm)	10" to 44" (254 to 1118 mm)
.015" (0.381 mm)	10" to 74" (254 to 1880 mm)
.020" (0.508 mm)	10" to 90" (254 to 2286 mm)
.030" (0.762 mm)	10" to 100" (254 to 2540 mm)
.040" (1.020 mm)	10" to 110" (254 to 2794 mm)
.050" (1.27 mm)	10" to 120" (254 to 3048 mm)

¹ Ranges based on a Code 39 Grade A label.

CONNECTORS/PIN ASSIGNMENTS

Program Connector: 9-pin D-subminiature plug

Pin No.	Function
2	RX-232
3	TX-232
5	Signal Ground
9	Boot Mode

Power Connector: 3-pin MicroChange plug

Pin No.	Function
1	Power Ground
2	NC
3	Power 10 to 28 VDC (in)

Trigger Connector: 4-pin MicroChange socket

Pin No.	Function
1	Power 10 to 28 VDC (out)
2	NPN
3	Ground
4	N/C

Host Connector: 25-pin D-subminiature plug

Pin No.	Host RS-232	Host & Aux RS-232	Host RS-422/485	In/Out
1	Chassis Ground			
2	Host TxD			Out
3	Host RxD			In
4	RTS	Aux TxD		Out
5	CTS	Aux RxD		In
6	Output 1 (+)			Out
7	Signal Ground			
8	Output 2 (+)			Out
9	Trigger (-)			In
10	Trigger (+)			In
11	N/C			
12	Input 1 (+)			In
13		RxD (+)		In
14		TxD (-)		Out
15	Noread/Output 3 (+)			Out
16		RxD (-)		In
17	Power Ground			
18	Power +10 to 28 VDC			In
19		TXD +		Out
20	Output 1 (-)			Out
21	Output 2 (-)			Out
22	Noread/Output 3 (-)			Out
23	Input 1 (-)			In
24	New Master (-)			In
25	New Master (+)			In

COMMUNICATION

Interface: RS-232, RS-422/485, daisychain/auxiliary port capable, dedicated configuration port

SYMBOLOGIES

Standard: Code 39, Code 128, UPC/EAN, Interleaved 2 of 5, Codabar, Code 93, PDF417
Applications Standard: AIAG, UCC/EAN-128

ELECTRICAL

Power Requirement: Input, 10-28 VDC, 200 mV p-p max. ripple, 230mA at 24 VDC (typ.)

EMISSIONS AND IMMUNITY

EN61000-6-3:2001: for Class A products
EN61000-3-2:2000+A2:2005
EN61000-3-3:1995+A1:2001
EN61000-6-2: Immunity

INDICATORS

Beeper: Good read, match/mismatch, noread, serial command confirmation
LEDs: 1 status, 1 power, 1 good read, and 5 read performance (representing percentage of good decodes), network/include status, green flash

DISCRETE I/O

Trigger, New Master, Input 1: Optoisolated, 5-28V rated, (12mA at 24 VDC)
Outputs (1, 2, 3): Opto-isolated, 1-28 VDC rated, (I_{CE} <100 mA @ 24 VDC, current limited by user)

SAFETY CERTIFICATIONS DESIGNED FOR

FCC, CDRH, CE, UL/cUL, BSMI

ROHS/WEEE COMPLIANT

ISO CERTIFICATION

Certified ISO 9001:2008 Quality Management System

©2017 Microscan Systems, Inc. SP002FZH-0417

Performance data is determined using high quality Grade A symbols per ISO/IEC 15415 and ISO/IEC 15416 in a 25° C environment. For application-specific results, testing should be performed with symbols used in the actual application. Microscan Applications Engineering is available to assist with evaluations. Results may vary depending on symbol quality. Warranty-For current warranty information on this product, please visit www.microscan.com/warranty.

MICROSCAN

Microscan Systems Inc.

Tel 425 226 5700 / 800 251 7711
 Fax 425 226 8250

Microscan Europe

Tel 31 172 423360 / Fax 31 172 423366

Microscan Asia Pacific

Tel 65 6846 1214 / Fax 65 6846 4641

www.microscan.com

Product Information: info@microscan.com
 Technical Support: helpdesk@microscan.com