

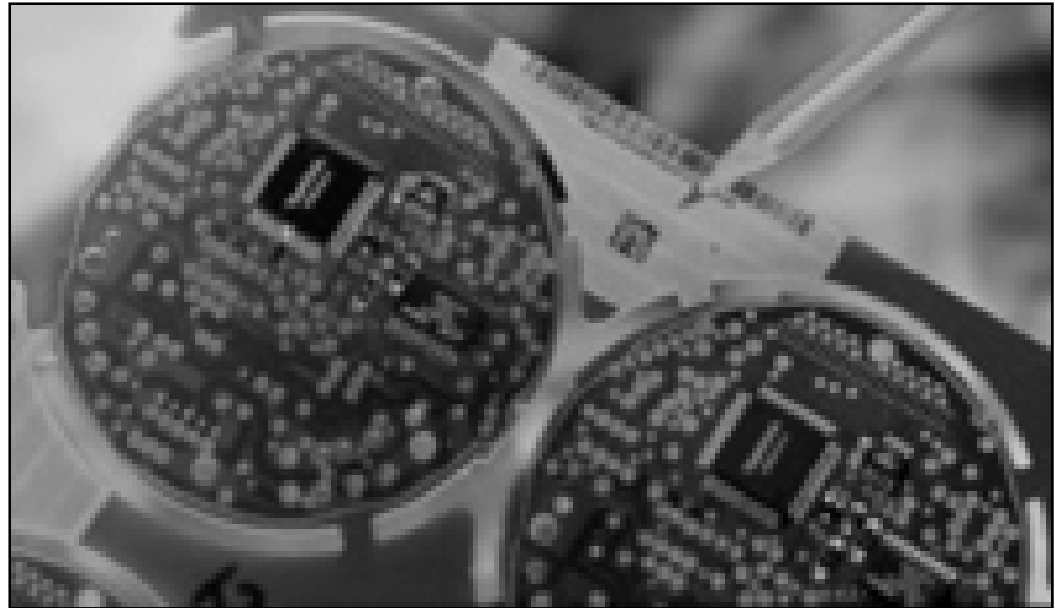
AIDC for Industry

Contract Manufacturers Use Data Matrix to Track Products

Electronics Manufacturing – Data Matrix on components

A contract manufacturer well known for its printed circuit board assembly business needed to minimize downtime during line changeovers.

They needed to replace their vision system with a reader that could be easily reconfigured between product runs without the use of a monitor or a PC.

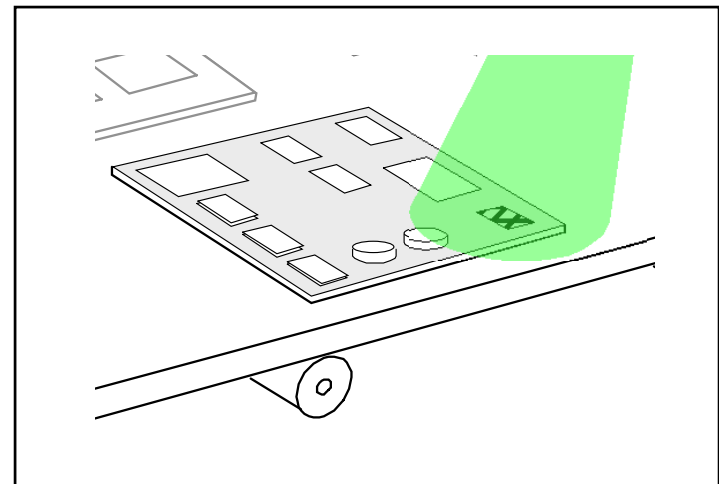


The application

Code Types: Data Matrix, 7.5 mil (.191 mm)
Data Matrix, 7.5 mil (.191 mm)

Application:

The manufacturer needed to read Data Matrix symbols on a variety of printed circuit boards. The placement of the symbols on the boards could vary from one product run to the next.

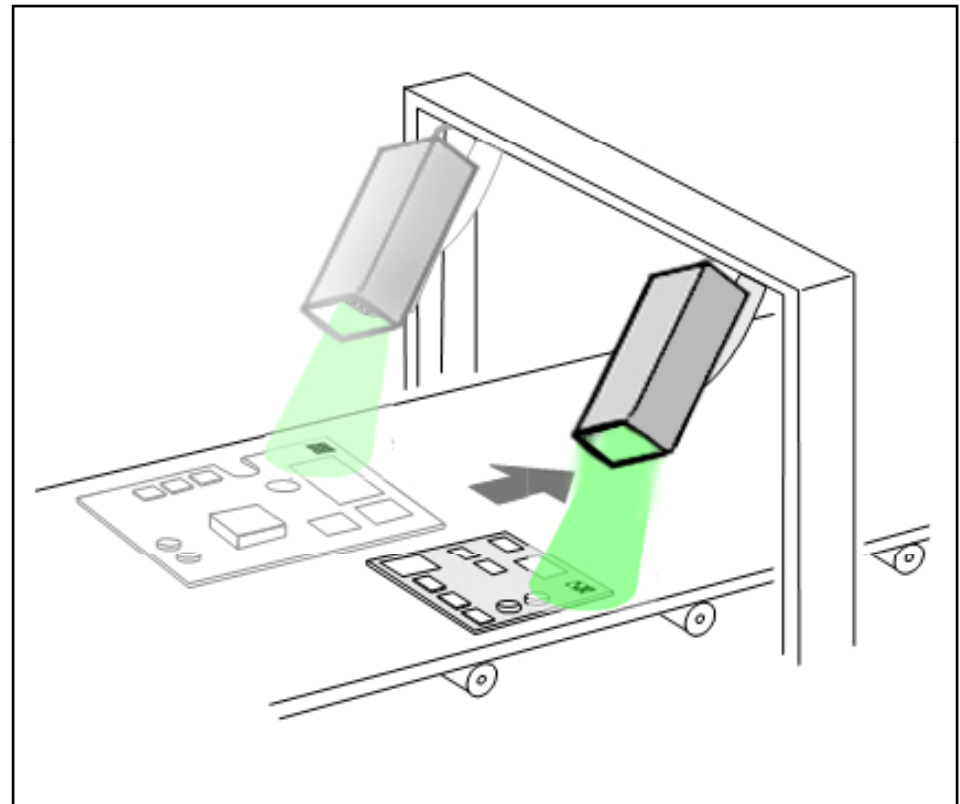


The installation

One 2D barcode reader unit was mounted above each production line to an adjustable track.

Between product runs, the unit could be easily realigned above the next code type.

The reader can be auto-calibrated in less than 60 seconds for the next code type. No computers or monitors required.



Why 2D Barcode Readers



2D barcode readers provided the following features:

- Easy setup and ease-of-use
- Finder pattern
- Positive read indicator
- Multiple code types

The bottom line

2D barcode readers reduced the downtime required to reconfigure the reader between product runs by more than 75%. By eliminating the bottleneck during line changeovers, uptime improved dramatically.

As a result, the manufacturer increased production and was able to meet increasing product demands.



**We solve 99% of all applications. Put us to the test.
Send us a sample of your bar code or 2D symbol today.**

Contact us at info@microscan.com

