

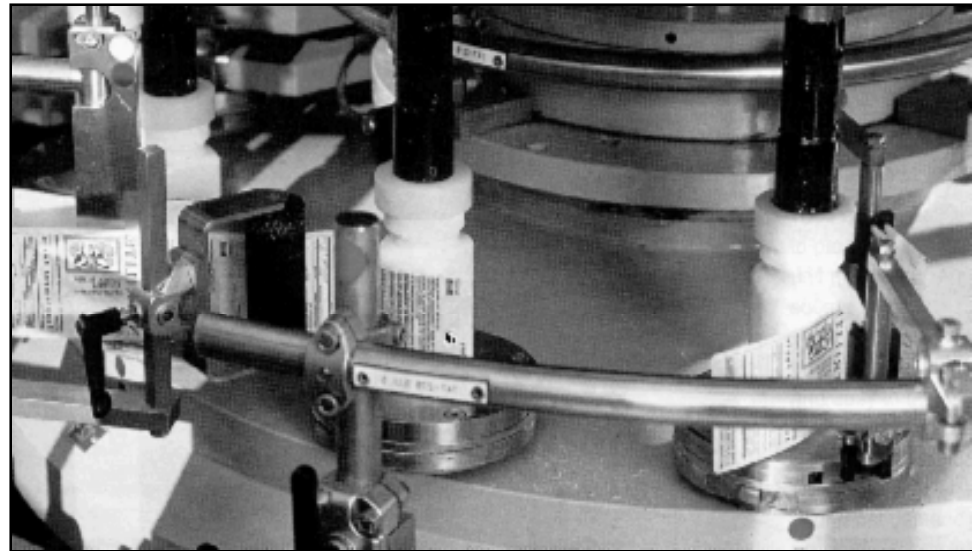
AIDC for Industry

Reading Data Matrix on Pharmaceutical Packaging

Pharmaceutical packaging– Data Matrix on bottles

At their state-of-the-art manufacturing facility, a new pharmaceutical manufacturer uses Data Matrix to automate the product verification system of their home insulin kits.

The symbols are used to track and verify the labeling and packaging process of each kit.

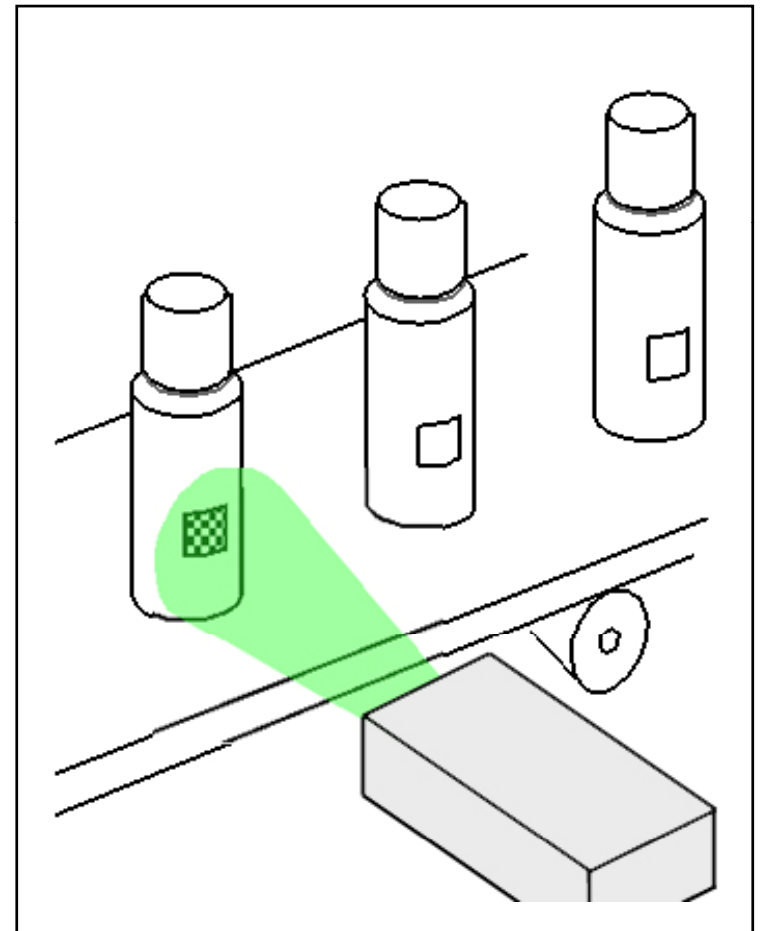


The application

Code Types: Data Matrix, 5 mil (.127 mm), thermal transfer
Data Matrix, 10mil (.254 mm), inkjet

Application:

The 5 mil Data Matrix symbol is used to verify the bottles of insulin were correctly labeled. The second Data Matrix symbols are used to verify the boxes containing the kits are properly marked and filled.



The installation

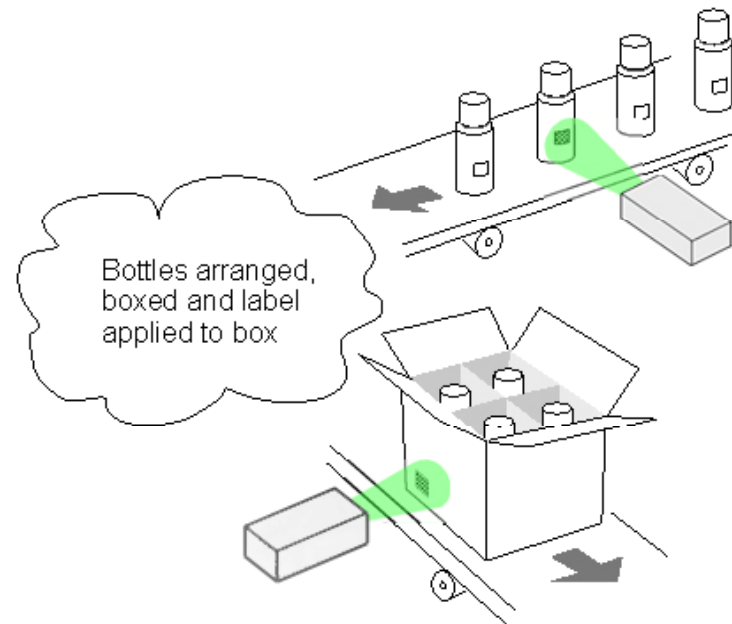
Data Matrix is used to track two different stages of the packaging process of home insulin kits.

Labeling:

After a bottle is filled, it passes by the label applicator and labeled with the Data Matrix symbol. Mounted next to the applicator, a 2D barcode unit reads the symbol and verifies the batch number to ensure the correct label was applied to the product.

Packaging:

Once the bottles of insulin are placed in a box and the box sealed, a Data Matrix symbol is printed on the side of the box and then verified by a second 2D barcode reader.



Why 2D Barcode Readers



It offered the following features:

- High-speed processing
- Match code routines
- Positive read indicator

The bottom line

In addition to providing the manufacturer with 100% product traceability, the verification system also provided accountability and assurance against recalls.



**We solve 99% of all applications. Put us to the test.
Send us a sample of your bar code or 2D symbol today.**

Contact us at info@microscan.com

